

ASTERIA


Designed by Soren Ravn Christensen




 Pendant

 CE certified
For indoor use

 **DIMENSIONS**
Ø: 43 cm
H: 14 cm

 **MATERIAL**
Steel, Aluminium & Acrylic
Incl. 2 m textile cord

 **WARRANTY**
10 years warranty against manufacturer defects


 **WEIGHT INCL. PACKAGING**
4.2 kg

 **LIGHT SOURCE**
LED panel built-in. 3000 K - 1500 lm.
25000 H

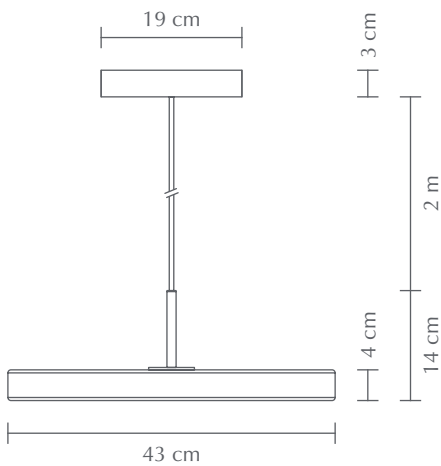
 **PACKAGING**
Gift box dimensions (W×H×D): 55.5 x 45.5 x 10.5 cm

 **ASSEMBLY TIME**
10 min - video guide at umage.com

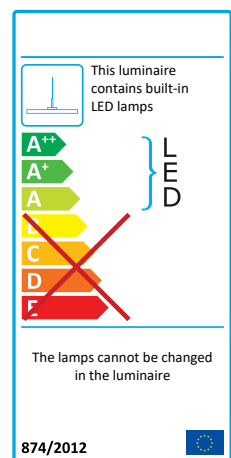
 **MEDIA KIT**
Photos, 3D models, 2D drawings
Download at umage.com

 **ORDERING INFORMATION**

Asteria pearl white	#2151
Asteria anthracite grey	#2152
Asteria forest green	#2153
Asteria petrol blue	#2154
Asteria ruby red	#2155



Colour variations




UMAGE

The specifications and dimensions are subject to change without notice. Document date: 13-02-2019
Kongens Nytorv 15, DK-1050 Copenhagen K | +45 31 39 31 31 (tel) | info@umage.com | www.umage.com